

Little reader for installation on metal

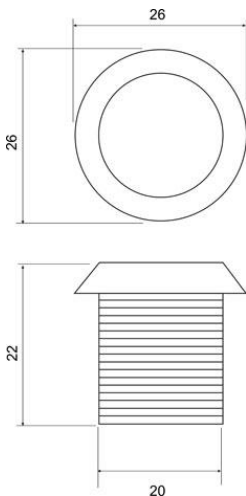
The reader is sealed and is not afraid of water and dust. Degree of protection IP65

Case material is Polyamide. It is a good conductor of heat and melts at a high temperature. So when you set it on a metal surface he is not afraid of fire, because he manages to convey all the warmth of the metal surface .

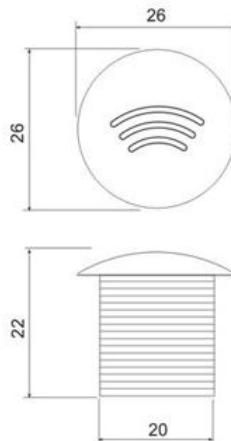
The size of the reader is only 25 mm. It is above the surface only 3 mm. It cannot be brought down from the surface.

The reader is impossible to remove from the outside. And even the destruction of his body impossible to gain access to the conductors with which it is connected.

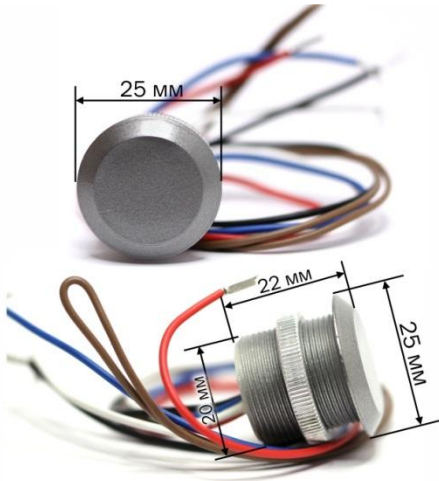
Reader EM Marine



Reader Mifare

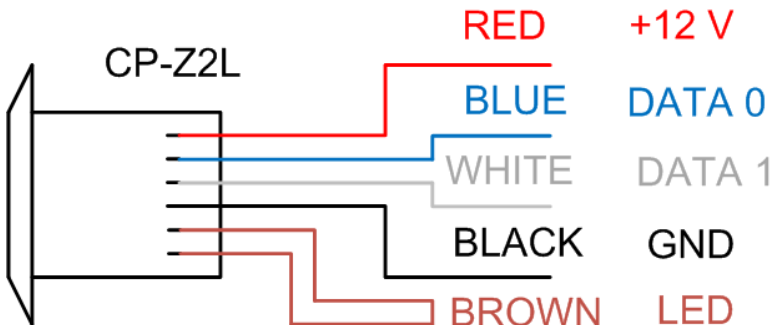


Reader EM Marine CP-Z2L



Range of card reading to 2-6 cm
Protocol for connection to the controller:
Wiegand 26
Power supply: 6 - 18 VDC
Current consumption: 35 mA
Light indication: Red LED
Housing material: Polyamide

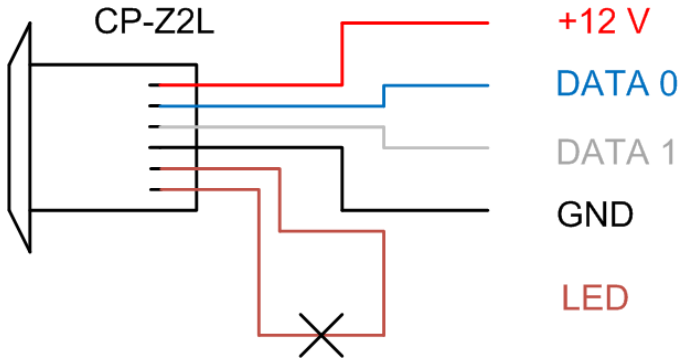
PURPOSE OF PINS



In standby mode, there is a red light.

At the moment of touch by key fob, the red light will turn off for one second.

While the card close to the reader, the light indication is disabled.



If the jumper of light control is cut, there is no red light in standby mode, but there will be the light for one second at the moment of touching by key fob.

Power supply: 5 VDC

